



Service Trolleys Soaking Sink Trolley - 220 liter, 850 mm

ITEM # _____

MODEL # _____

NAME # _____

SIS # _____

AIA # _____



361268 (SSTR08)

220lt Soaking Sink Trolley
850mm

Short Form Specification

Item No. _____

Constructed in 304 AISI stainless steel. Framework in mm25 tubing, completely welded. Drain valve with twist handle. N. 4 swivelling castors, two with brakes, mm125 in diameter, with pastic bumpers. Basin size mm802x602x475h.

Main Features

- Framework in 25 mm tubing, completely welded.
- Basin 802x602x475 mm in size.
- Unit to have a drain valve with twist handle.
- 4 pivoting Ø 125 mm wheels, 2 of which with brakes, fitted with plastic bumpers

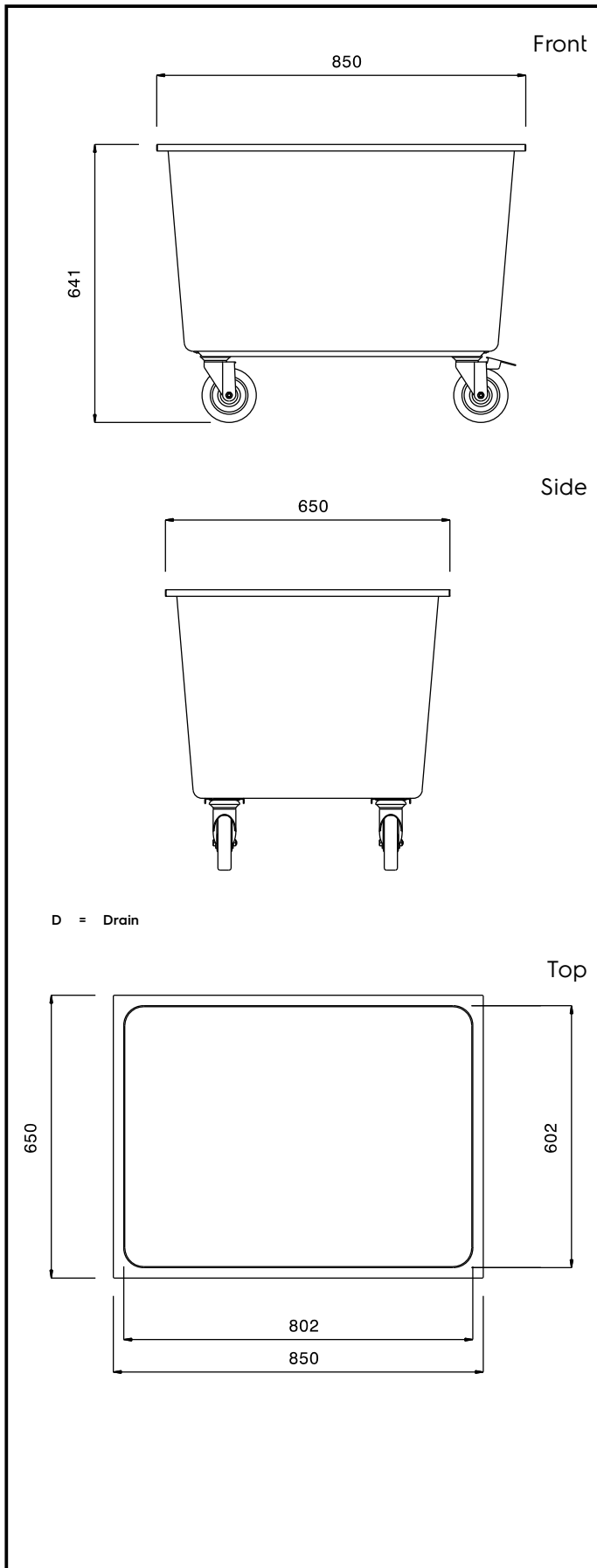
Construction

- Constructed entirely in 304 AISI stainless steel.

APPROVAL: _____



Experience the Excellence
www.electroluxprofessional.com



Key Information:

External dimensions, Width:	850 mm
361268 (SSTR08)	850 mm
External dimensions, Depth:	650 mm
External dimensions, Height:	641 mm
Wheel material:	Zinc plated
Wheel diameter:	Ø 125
Net weight:	30 kg